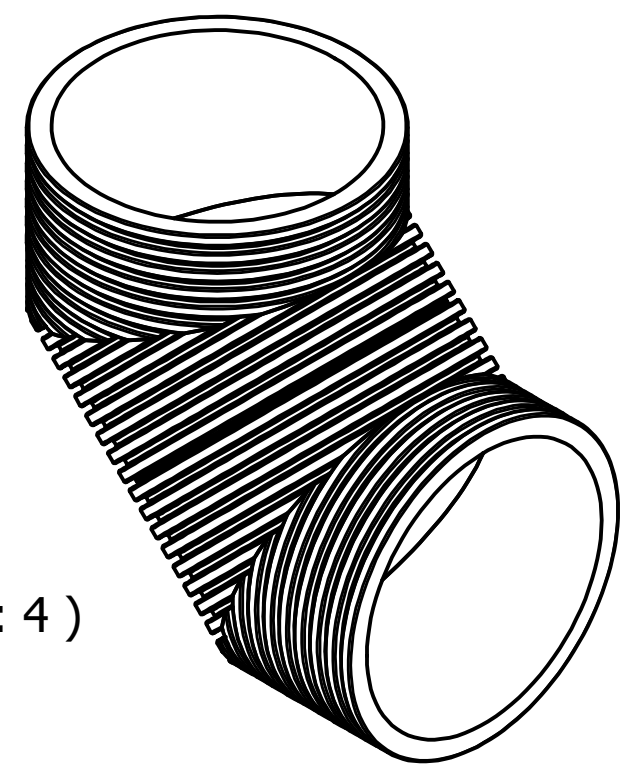
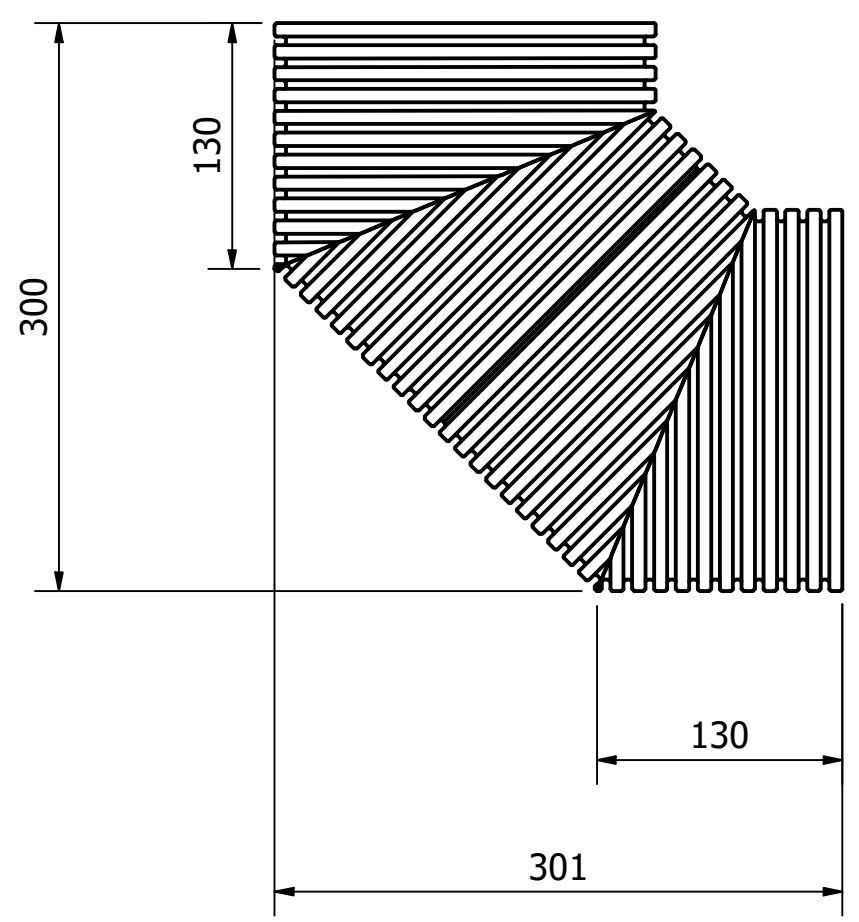


Ø174

Ø203



A-A (1 : 4)

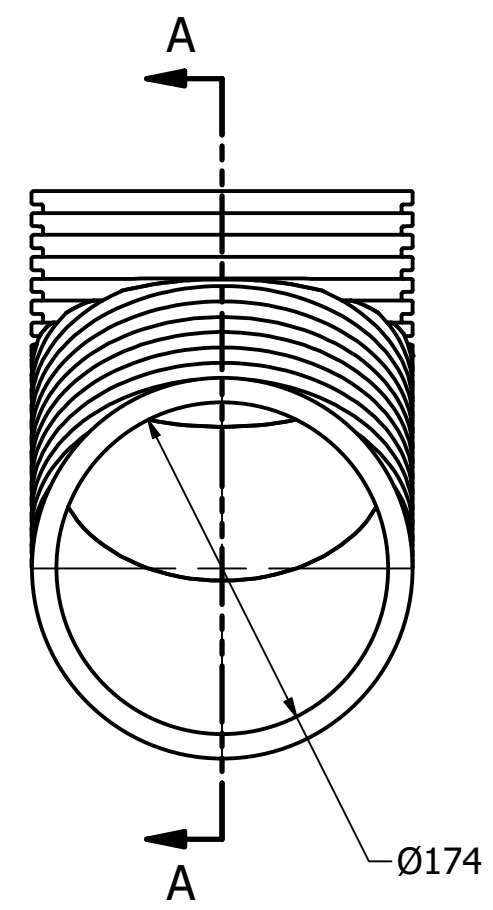


300

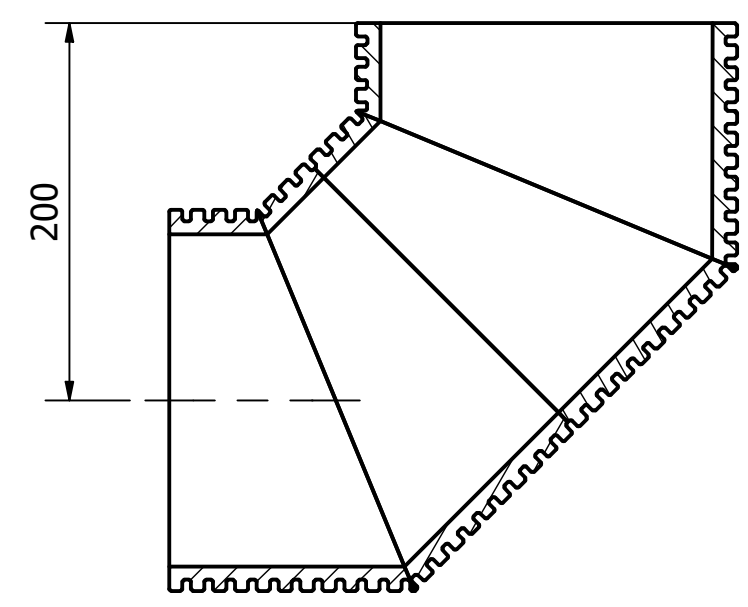
130

130

301



Ø174



200

PART NAME Insulated bend 90° Ø174					
DRAWING NUMBER VENTILAIR 2006001563		MATERIAL		REVISION HISTORY	
				REV	DATE
				DESCRIPTION	BY
FABRICATION		COLOUR RAL 9005	SCALE 1 : 4	DATE 8-12-2020	
PROJ A-A		Tolerance (Unless otherwise stated)		UNITS	SIZE
		From [mm]	0 30 300	mm	A3
		Till [mm]	30 300 300+		
		Tol. [mm]	±0,1 ±0,4 ±0,8	DRAWN BY	
		Ang. ±1°			REVIEWED BY